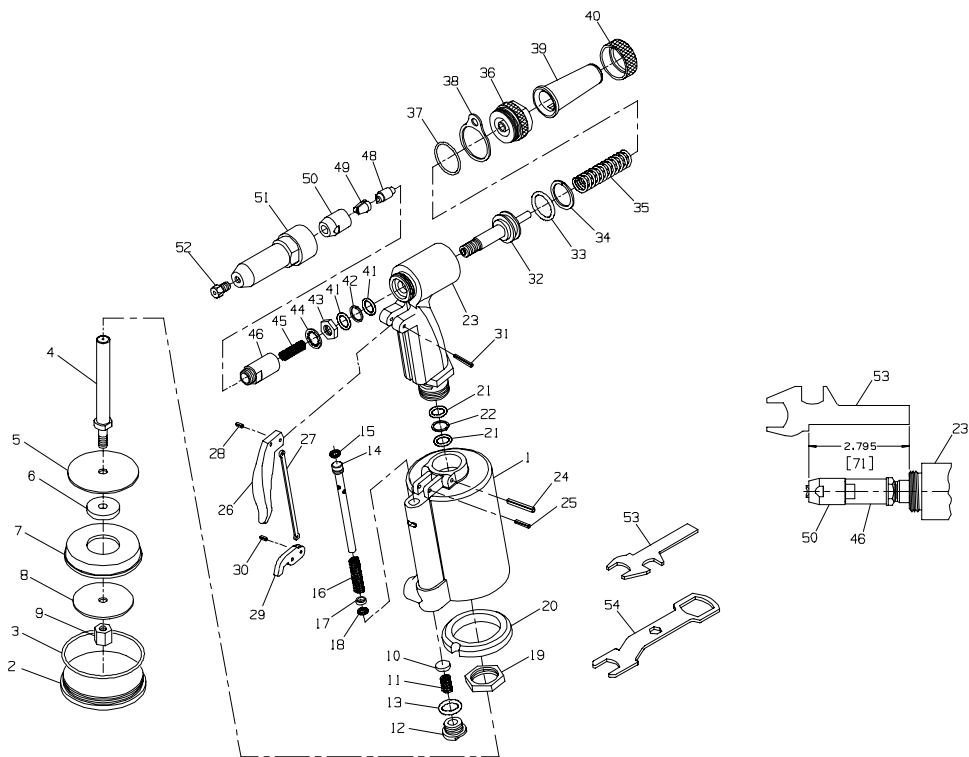
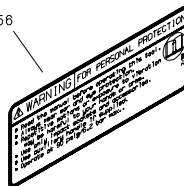


LA437 Hydraulic Riveter Exploded Diagram



(Dwg. TPA1368)



LA437 Hydraulic Riveter Parts List

Item	Part Description	Part Number	Item	Part Description	Part Number
1	Air Cylinder	LA437-29	31	Connecting Pin	LA437-38
2	Cylinder Cap	LA437-33	32	Oil Piston	LA437-16
3	O-Ring	LA437-32	33	Oil Piston O-Ring	LA437-17
4	Air Piston Stem	LA437-30-1	34	Back-up Ring	LA437-18
5	Plate	LA437-30-4 (lg)	35	Return Spring	LA437-19
6	Piston	LA437-30-2	36	Frame Cap	LA437-21
7	Air Piston Ring	LA437-31A	37	Frame Cap O-Ring	LA437-10A
8	Plate	LA437-30-5 (sm)	38	Hanging Clip	LA437-20
9	Nut	LA437-30-3	39	Safety Cap	LA437-23
10	Valve	LA437-45	40	Frame Cap Nut	LA437-22
11	Spring	LA437-46	41	Back-up O-Ring	LA437-14 (2)
12	Valve Cap	LA437-52	42	Back-up Ring	LA437-13
13	O-Ring	LA437-51	43	Case Lock Nut	LA437-12
14	Valve Pusher	LA437-44	44	Case Washer Ring	LA437-09
15	Valve Pusher O-Ring	LA437-43A	45	Jaw Pusher Spring	LA437-10
16	Valve Spring	LA437-44A	46	Jaw Case End Tart	LA437-06-2
17	Valve Collar	LA437-45A	48	Jaw Pusher	LA437-08
18	Collar O-Ring	LA437-45B	49	Jaw	LA437-07
19	Frame Lock Nut	LA437-27	50	Jaw Case Front Tart	LA437-06-1
20	Rubber Cushion	LA437-28	51	Frame Head	LA437-11
21	Back-up O-Ring	LA437-25 (2)	52	Nose Piece	LA437-1D (3/32" [2.4 mm])
22	Back-up Ring	LA437-26	52	Nose Piece	LA437-1C (1/8" [3.2 mm])
23	Frame	LA437-15	52	Nose Piece	LA437-1B (5/32" [4.0 mm])
24	Set Pin	LA437-24	52	Nose Piece	LA437-1A (3/16" [4.8 mm])
25	Lever Pin	LA437-43	53	Spanner Gauge	LA437-35
26	Trigger	LA437-40	54	Spanner	LA437-36
27	Trigger Rod	LA437-39	55	Logo Sticker	LA437-301
28	Trigger Pin	LA437-37	56	Warning label	EU-99
29	Trigger Lever	LA437-42			
30	Connecting Pin	LA437-41			

Parts and Maintenance

When the life of the tool has expired, it is recommended that the tool be disassembled, degreased and parts be separated by material so that they can be recycled.

Tool repair and maintenance should only be carried out by an authorized Service Center.
Refer all communications to the nearest **Ingersoll Rand** Office or Distributor.

Related Documentation

For additional information refer to:
Air Hydraulic Riveter Safety Information Manual 16576555.
Air Hydraulic Riveter Product Information Manual 03539772.

Manuals can be downloaded from www.irtools.com.