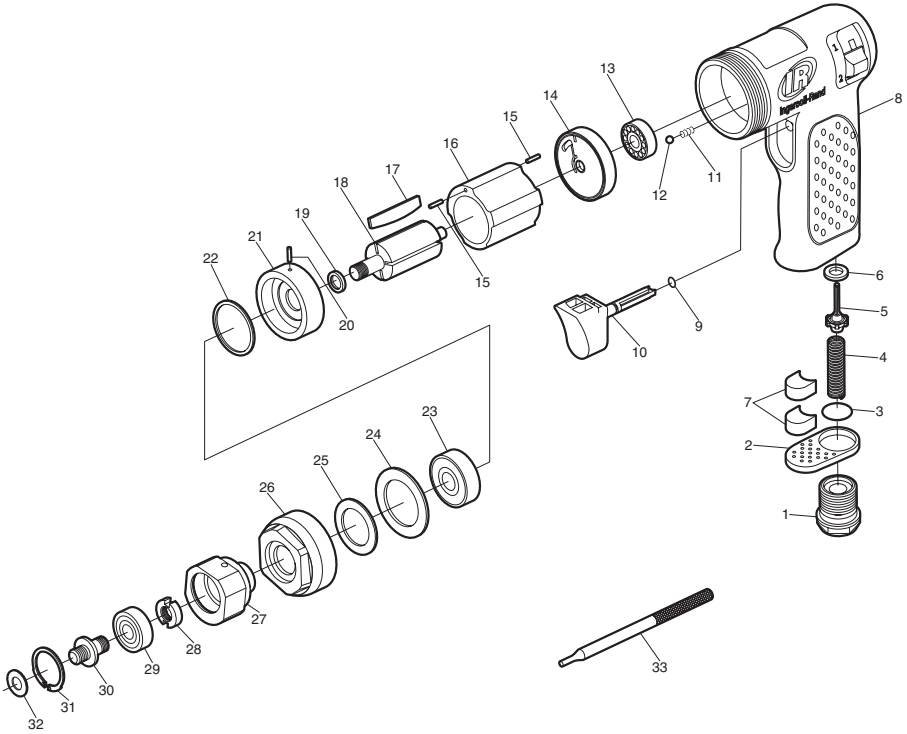


3128 Mini Random Orbital Sander Exploded Diagram



(Dwg. 16591570)

3128 Mini Random Orbital Sander Parts List

Item	Part Description	Part Number	Item	Part Description	Part Number
1	Inlet Bushing with Screen	3103-A465	19	Rotor Collar	3103-80
2	Deflector	3103-23	20	Roll Pin	3103-15
3	O-Ring	3103-65	21	Front Plate	3103-11
4	Valve Spring	3103-51	22	Shim	3103-145
5	Valve with Pin	3103-302	23	Ball Bearing	3103-24
6	Valve Seat	3103-303	24	Washer	3103-248
7	Muffler (2)	DAA40-311	25	Felt Seal	3103-31
8	Motor Housing Assembly	3128-A40	26	Clamp Nut	3103-27
9	O-Ring	3103-65A	27	Hub	3128-777
10	Trigger	3103-93	28	Random Shaft Nut	3128-A190
11	Spring	7804-250	29	Ball Bearing	3128-24
12	Steel Ball	7804-722	30	Random Shaft	3128-109
13	Ball Bearing	3103-97	31	Retaining Ring	3128-118
14	Rear Plate	3103-12	32	Washer	3128-248
15	Roll Pin (2)	3103-120-2	33	Bar Spanner	3103-253
16	Cylinder	3103-3	*	Name Plate	3128-301
17	Vane Packet (set of 4)	3103-42-4	*	Warning Label	3103-99
18	Rotor	3103-53			

* Not illustrated

Parts and Maintenance

When the life of the tool has expired, it is recommended that the tool be disassembled, degreased and parts be separated by material so that they can be recycled.

Tool repair and maintenance should only be carried out by an authorized Service Center.

Refer all communications to the nearest **Ingersoll Rand** Office or Distributor.

Related Documentation

For additional information refer to:

Product Safety Information Manual 04580387.

Product Information Manual 80181639.

Manuals can be downloaded from www.irtools.com.