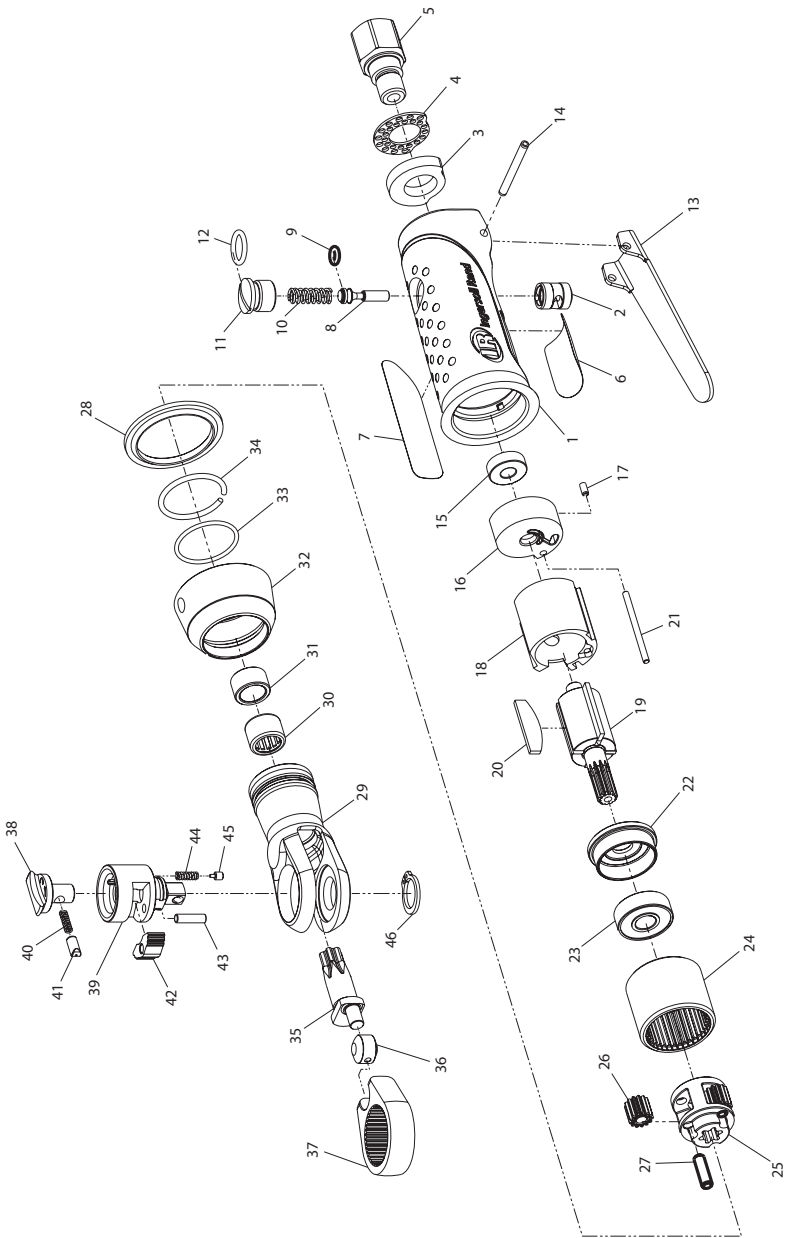


105-D2, 105-D3, and 105-L2 Air Ratchet Wrench - Exploded View



(Dwg. 45666070)

105-D2, 105-D3, and 105-L2 Air Ratchet Wrench - Parts List

Item	Part Description	Part Number	Item	Part Description	Part Number
	Housing Assembly			Ratchet Housing Assembly	
	for 105-D2	105-D2-A40		for 105-D2, 105-D3	105-A322
	for 105-D3	105-D3-A40		for 105-L2	105-L2-A322
	for 105-L2	105-L2-A40	29	Ratchet Housing	---
1	Housing	---	30	Needle Bearing	---
2	Valve Bushing	---	31	Bushing	---
3	Muffler	---	32	Coupling Nut	1105-27
4	Muffler Retainer	---	33	O-Ring	JQ2-201
5	Inlet Bushing Assembly	MT1820A-A565	34	Retaining Ring	1105-118
6	Nameplate Label		35	Crankshaft	
	for 105-D2	105-D2-301		for 105-D2, 105-D3	1105-35
	for 105-D3	105-D3-301		for 105-L2	105-L2-35
	for 105-L2	105-L2-301	36	Drive Bushing	1105-36
7	Warning Label	WARNING-37-99	37	Yoke	1105-37
	Valve Kit	105-VK		Ratchet Head Kit	
8	Throttle Valve	---		for 105-D2, 105-L2	1105-D2-TRK1
9	Throttle Valve O-Ring	---		for 105-D3	1105-D3-TRK1
10	Throttle Valve Spring	---	38	Reverse Button	1105-38
11	Valve Plug	---	39	Anvil Assembly	
12	Valve Plug O-Ring	---		for 105-D2, 105-L2	1105-D2-A44
	Throttle Lever Kit	105-LK		for 105-D3	1105-D3-A44
13	Throttle Lever	---		Pawl Kit	1105-K43
14	Pin	---	40	Lock Spring	---
	Motor Assembly	105-MK	41	Lock Pin	---
15	Rear Rotor Bearing	---	42	Pawl	---
16	Rear End Plate	---	43	Pawl Retaining Pin	---
17	Motor Alignment Pin	---		Spring Kit	1105-SK
18	Cylinder	---	44	Friction Spring (3 per kit)	---
19	Rotor	---	45	Friction Pin (3 per kit)	---
20	Vanes (set of 4)	301-42-4	46	Retaining Ring	---
21	End Plate Alignment Pin	---	*	Oil - Ingersoll Rand No. 10 (4 oz. bottle)	1024
22	Front End Plate	---	*	Grease	
23	Front Rotor Bearing	---		IR # 67 (1 lb can) - for Gearing	67-1 LB
	Gearing Kit	1105-GK		IR # 67 (8 lb can) - for Gearing	67 8 LB
24	Internal Gear	---		IR # 70 (1 lb can) - for Ratchet Head	70 1 LB
25	Spindle	---		IR # 70 (8 lb can) - for Ratchet Head	70 8 LB
26	Planet Gear (3 per kit)	---	*	Spline Wrench (for removal of item 24)	1215-SW
27	Planet Gear Pin (3 per kit)	---	*	Coupling Nut Wrench (for removal of item 32)	1105-CW
28	Ring	1105-223			

* Not illustrated.

Parts and Maintenance

When the life of the tool has expired, it is recommended that the tool be disassembled, degreased and parts be separated by material so that they can be recycled.

Tool repair and maintenance should only be carried out by an authorized Service Center.

Refer all communications to the nearest **Ingersoll Rand** Office or Distributor.

Related Documentation

For additional information refer to:

Air Ratchet Wrench Safety Information Manual 04580361.

Air Ratchet Wrench Product Information Manual 45649159.

Manuals can be downloaded from www.ingersollrandproducts.com.

