



LIFTOFF

Leading the lifting game since 2002

WINNTEC
2T
OK
11722 4832
SAFETY SERIES
CE UKCA
WINNTEC.NET



Workshop Essentials 2024_v1.1 





THE DRIVING FORCE BEHIND:



Lifting & handling solutions since 2002

Reaching new heights

Winntec (Est. 2002) is a manufacturer, esteemed developer and international supplier of high quality, efficient and reliable automotive workshop "essentials", available in automotive and industrial markets in Europe, North America, Southern Africa and Pacific Asia. The ranges are "priced right" and backed up by outstanding customer service, sales & marketing support. Today we manufacture in Asia and Europe.

Our mission

Build the best products! Their quality, safety and ease of use are – and remain – at the heart of our operations.

Our vision

Lifting, handling and transportation, that's exactly where our focus needs to be the next years. We recognize the challenges that the mechanics (both in the shops and on the road) are experiencing. Heavy objects (vehicles & parts) will grow in number and we see it as a responsibility to bring affordable problem solvers that will save time and greatly reduce the risk of injuries.

Our history

We decided to rebuild the hydraulic floor jack from scratch. The result was an all new, service friendly design that showed a clever mix between superb American and European characteristics and functionality. Turbo Lift and Auto Shift are just two of the amazing technologies that Winntec introduced ever since.


Our achievements

Meanwhile, our products find their way to more than 60 countries worldwide! It are (premium) car dealerships, tire service specialists and transport companies that use our products day in, day out. Our patented Smart Cart was one of the three finalists during the innovation award competition at Frankfurt Automechanika.

Our approval

Winntec products are designed & manufactured in compliance with NEN-EN 1494:2001+A1:2008 

Third party certified

All of our best selling floor jacks passed third party CE Certification 

Winntechnology

Check out our Winntechnology videos, highlighting our distinctive technology.

FOR FURTHER INFORMATION AND CONTACT, VISIT WINNTEC.NET



No rights can be derived from the contents of this folder. Images shown may differ from reality. Print and text errors reserved. * Excludes wear and tear.



Wheel Service

Y471148 HD Dominator - Smart Cart

Our new **DOMINATOR** cart with **patented tilting system**, suits the tire techs that transport tires and wheel sets all day long in- and around the shop and at racetracks. It picks up even bigger wheels and its integrated kick pedal ensures a quick release of 'the load' on smooth surfaces. The redesigned, stronger, sleeker arms in stainless, guarantee a perfect catch and grip of the heaviest wheel sets.

DOMINATOR includes a bracket set allowing the user to install a single Winntec Smart Disc at the back of the frame. 2 Rubber grips positioned at the top of the vertical posts further improve ergonomics while tilting. **DOMINATOR** has been equipped with rigid rubber wheels that show an aluminum core and industrial ball bearings to improve rolling resistance.

PATENTED technology! 10 YEAR LIMITED WARRANTY!

Main features

- Superior ergonomics
- Cast aluminum rims with old rubber tires 10*2 - 65 shore
- Integrated kick pedal
- Handles tires and wheel assemblies
- **Configurable height!**

Specifications

Height =	1385 mm
Width =	610 mm
Depth =	695 mm
Range Ø =	up to 83 cm
	220 kg
	23,3 kg



Configurable height

BMW XM
315/30/R23
WHEEL DIAMETER
78 CM
NO PROBLEM!

RIVIAN R1T
275/50/R22
WHEEL DIAMETER
83 CM
NO PROBLEM!

Y471148-EXT Extender Kit - OPTIONAL

The extender bolts down to the top of the DOMINATOR. Highly recommended for the shops and warehouses that transport large stacks of tires.

Y471123 - Smart Disc

Keep those wheel sets mobile in your showroom and workshop! Stack, roll and grab them with (or without) your Smart Cart.

Specifications

Ø	68 cm
	160 kg



Works perfectly together with Smart Cart



WATCH DEMO



WATCH DEMO



Y472270 - Wheel Assist ERGO+

Best in combination with 2-post and other high rise lifts. Allows operator to install wheels at chest height. Delivered with quick install ramp, foot step and sliding rollers that ensure a safe working distance from the vehicle.

Operating as a standalone piece of workshop equipment, that doesn't require charging or linking up to a power source, the Winntec® Wheel Assist has powerful gas springs that enable workshop technicians to quickly and easily remove and replace wheels while in an ergonomically correct position (chest height). This unique, patent pending product, guarantees an optimal balance between mechanical force and physical user input.

Main features

- The professional's choice
- Attractively priced
- Maintenance free
- Fender protection

Specifications

Height	1800 mm
Width	685 mm
	Max 45 kg
	42 kg

Smart cart and Wheel Assist make a great duo

Y471147 HD Classic - Smart Cart

The Cart that changed the industry!

This long life, light weight, high capacity cart allows the tire fitter to maneuver heavy wheel sets in the most ergonomic way with the help of its **patented tilting system**. The unique push-slide-secure automatic locking system eliminates the need for inefficient, wear sensitive, foot operated - or hand controlled jaws.

The light yellow colored foam filled tires are maintenance free and leave no traces on the work shop floor. The cart has been developed in partnership with some of Europe's leading tire service chains. It comes in powder coated steel (robotic welding) with high strength components and an exceptional 3 year warranty period.

PATENTED technology! 3 YEAR LIMITED WARRANTY!

Main features

- Superior ergonomics
- Flat-free tires leave no stripes
- Handles tires and wheel assemblies

Specifications

Height =	1385 mm
Width =	610 mm
Depth =	695 mm
Range Ø =	up to 76 cm
	220 kg
	20,5 kg



WATCH DEMO



SOLD 50.000!



BMW X4
275/35/R21
WHEEL DIAMETER
73 CM
NO PROBLEM!

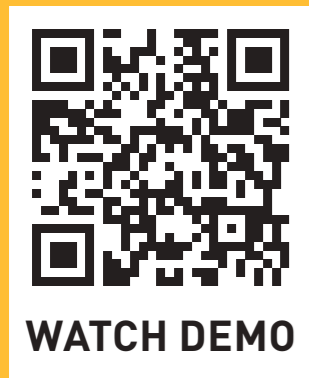
VOLVO XC90
245/75/R20
WHEEL DIAMETER
75 CM
NO PROBLEM!



- ALBERT PARK CIRCUIT
- AUTODROMO HERMANOS RODRIGUEZ
- AUTÓDROMO JOSÉ CARLOS PACE / INTERLAGOS
- AUTODROMO NAZIONALE MONZA
- CIRCUIT DE CATALUNYA
- CIRCUIT DE MONACO
- CIRCUIT GILLES-VILLENEUVE
- CIRCUIT OF THE AMERICAS
- CIRCUIT PARK ZANDVOORT
- HUNGARORING
- LAS VEGAS STREET CIRCUIT
- MARINA BAY STREET CIRCUIT
- MIAMI STREET CIRCUIT
- RED BULL RING
- SILVERSTONE
- SPA FRANCORCHAMPS



We ^{Sold!} 500.000 Jacks
 Leading the lifting game since 2002



CE UK CA TÜV Rheinland
 WINNTEC.NET



TURBO LIFTER. SHIPPING FRIENDLY **JTM220000 2,2T**

DESIGNED FOR THE PRO - AVAILABLE TO ALL!

MAIN FEATURES

1. TWO PIECE HANDLE
2. LIFTING RANGE: 75 - 465 MM
3. HEAVY DUTY STEEL CONSTRUCTION
4. DUAL PISTON PUMP AND FOOT PEDAL FOR EASY LIFTING
5. WIDE FRONT WHEEL PROVIDES LOAD CONTROL
6. RUGGED UNIVERSAL JOINT FOR PRECISE LOAD CONTROL



Specifications

Width =	340 mm
Length =	700 mm
Min. H. =	75 mm
Max H. =	465 mm
Weight =	2,2 T
Max Load =	28,5 kg



TURBO LIFTER. SHIPPING FRIENDLY **JTM300000 3T**

DESIGNED FOR THE PRO - AVAILABLE TO ALL!

Specifications

Width =	335 mm
Length =	615 mm
Min. H. =	130 mm
Max H. =	470 mm
Weight =	3 T
Max Load =	31 kg



MAIN FEATURES

1. TWO PIECE DETACH HANDLE
2. LIFTING RANGE: 130 - 470 MM
3. RUGGED UNIVERSAL JOINT FOR PRECISE LOAD CONTROL
4. DUAL PISTON PUMP FOR FAST LIFTING
5. HEAVY DUTY STEEL CONSTRUCTION
6. WIDE FRONT WHEEL PROVIDES LOAD CONTROL
7. HANDLE BUMPER
8. RUBBER SADDLE PAD
9. POLYAMIDE WHEELS



MOBILE ENERGY. MOBILE AIR. **JTM200010 12V**

DESIGNED FOR THE PRO - AVAILABLE TO ALL!



1. START BOOSTER: 2000A
2. COMPRESSOR AUTO-START-STOP: 10 BAR
3. HIGH CAPACITY POWER BANK: 55.5WH
4. MULTIFUNCTIONAL LED LIGHT

JTM400000

MAIN FEATURES

1. PREMIUM SWIVEL CASTERS WITH 2 LOCKS
2. CARBON STEEL INNER FRAMING
3. COMFORTABLE HEIGHT
4. CRADLE STYLE SEATING
5. ONBOARD STORAGE
6. SEAT DIMENSIONS: 455 H 255 MM

Specifications

Width =	422 mm
Length =	642 mm
Height =	332 mm
Weight =	130 kg
Max Load =	5,5 kg





Lifting Equipment

Y411350 - Full Aluminum Jack

Winntec's popular alloy floor jack has been dominating the European market for the last 10 years. The ball bearing-mounted rear wheels and wide track front wheels provide easy maneuverability and stability under load. A newly designed saddle pad (as subscribed by several European car makers) protects the vehicles bodywork and components.

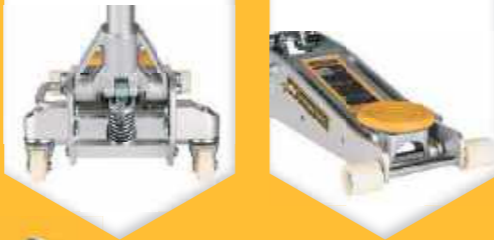
Thick frame side plates and a reinforced lift arm result in added strength. A bypass and overload valve prevent from over-extension of hydraulic ram and jack use beyond rated capacity. The 2-pc. handle with quick lock offers easy storage. Heavy duty nylon wheels keep the jack's general weight below 10kg.

Main features

- Just 10 kg
- Nylon wheels
- PU pad



Specifications	
Min. H. =	80 mm
Max H. =	375 mm
Width =	236 mm
Length =	501 mm
T	1,35
KG	10 kg



Y411202

Light weight design combined with TURBO LIFTER technology. The PU wheels minimize noise and potential (showroom) floor damage. The jack starts at 86mm and reaches 418mm maximum height.

Main features

- Light weight
- Turbo Lifter System
- Controlled descent
- Foot pedal
- PU wheels
- PU pad



NEW!



Specifications	
Min. H. =	86 mm
Max H. =	418 mm
Width =	282 mm
Length =	625 mm
T	2
KG	22 kg

M411355 - Winntec Motion Jack

Designed for the pro - available to all!

Main features

- Ultra light jack
- Turbo Lifter System
- 2 speed lowering
- Color box



Specifications	
Min. H. =	90 mm
Max H. =	360 mm
Width =	247 mm
Length =	481 mm
T	1,5
KG	14,2 kg



Y420222 - Low Profile Jack

Low profile jack with **integrated jack stand function** and hold to run control. 75mm entrance height, Turbo Lifter, handle bumper.

Main features

- **ULTIMATE SAFETY**
- Auto lock
- Low profile
- Controlled descent
- Foot pedal
- Turbo Lifter System
- Hard chromed ram and pistons

Dual purpose lift/support



WATCH DEMO

Specifications	
Min. H. =	75 mm
Max H. =	500 mm
Width =	350 mm
Length =	705 mm
T	2
KG	42





Lifting equipment

Y420250

Ultra low profile design combined with TURBO LIFTER technology. The PU wheels minimize noise and potential (showroom) floor damage. The jack starts at 75mm and reaches an impressive 510mm at maximum height.

A rubber grip and saddle are standard features. This low profile jack comes with heat-treated chromed pump pistons and chromed main ram.

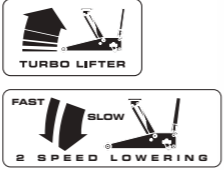
Main features

- 2 SPEED LOWERING
- Turbo Lifter System
- Ultra low - 75 mm
- PU wheels
- PU pad

Specifications	
Min. H. =	75 mm
Max H. =	510 mm
Width =	343 mm
Length =	686 mm
T	2 T
kg	32,5 kg

Our Best just got better!

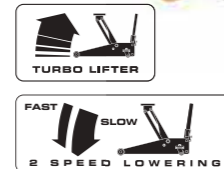
Y490000 GUARANTEED PERFECT FIT! Y490000EV



Y490000 GUARANTEED PERFECT FIT! Y490000EV

Specifications	
Min. H. =	120 mm
Max H. =	450 mm
Width =	344 mm
Length =	618 mm
T	3 T (US)
kg	31 kg

Excellent price-quality ratio



Y420330

Ideally configured for car dealers and universal workshops. The jack comes with noise reducing PU wheels, a rubber pad/grip and our TURBO LIFTER pump system. With a minimum height of 120mm and its compact size, this 3T jack is the right choice for car dealerships that look for attractive pricing, functionality and safety.

The release valve allows you to lower heavy loads in a controlled way. The main ram and both pistons are chrome plated. Winntec selected the best industrial grade seals and gaskets for its next best seller.

Main features

- 2 SPEED LOWERING
- Turbo Lifter System
- PU wheels
- PU pad

THE ULTIMATE

Y420333

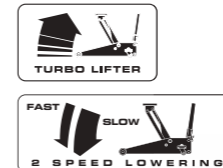
This jack offers the best possible specifications, which unites the ultra low profile design and high reach, our unique 2 SPEED LOWERING technology, TURBO LIFTER pump system, 3T capacity and noise reducing PU wheels. The highest quality of components will ensure maximum performance and life time.

Main features

- 2 SPEED LOWERING
- Low profile
- Turbo Lifter System
- PU wheels
- PU pad
- Foot pedal



WATCH DEMO



Y490000 GUARANTEED PERFECT FIT! Y490000EV

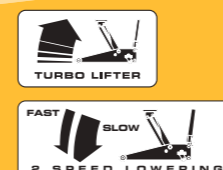
Y420336

Its 3.6T capacity and low entry height combined with a high reach of 540mm set this jack apart from its competitors. A rubber grip, PU pad and handle bumper are included.

The jack benefits from a fully welded power unit that shows chromed pistons and chromed main ram. Equipped with industrial quality polyamide wheels, dual speed lowering and TURBO LIFTER technology.

Main features

- 2 SPEED LOWERING
- Turbo Lifter System
- Rubber grip
- Polyamide wheels
- PU pad
- Welded pump



Y490000 GUARANTEED PERFECT FIT! Y490000EV

NEW!



Specifications	
Min. H. =	76 mm
Max H. =	503 mm
Width =	346 mm
Length =	672 mm
T	3 T
kg	37 kg

Specifications	
Min. H. =	95
Max H. =	540 mm
Width =	350 mm
Length =	687,5 mm
T	3,6 T
kg	38,5 kg

**HIGHLY RECOMMENDED
ACCESSORY!**
WORKS WITH MOST FLOOR JACKS



Specifications

Min. H =	217 mm
Max. H =	352 mm
 Capacity	3,5 T
 Weight	1,7 kg

**MORE SPECS
AND DETAILS
SEE PAGE 31**

MANUAL



WINNTEC.NET

We  **Jacks**
Leading the lifting game since 2002



**EXPLORING
WINNTECHNOLOGY**

FAST LOCK JACK BLOCK

**Y450350
THE JACK STAND
REVOLUTION**





LIFTPAD

**HIGHLY RECOMMENDED
ACCESSORY!**
WORKS WITH MOST OF OUR
FLOOR JACKS & COMPETITION



**PFAS
& PAHS
FREE**

Specifications

Top Ø =	137 mm
Height =	43 mm
4 Base slots Ø =	92 mm 104 mm 106 mm 118 mm
X-groove =	10/13 mm

**MORE SPECS
AND DETAILS
SEE PAGE 42**

WINNTEC.NET

We  **Jacks**
Leading the lifting game since 2002



**MADE OF
SUPER
STRONG**
ULTRA HIGH
MOLECULAR WEIGHT
POLYETHYLENE

CE **UK** **CA** 

Lifting equipment

Long Chassis Jacks

This range is designed especially for extreme heavy-duty lifting. It is perfect for servicing truck fleets, busses, farm- and heavy construction equipment and other vehicles that require a low starting point and a relatively high reach.

All models feature a foot-operated pump for quicker lifting efficiency, automatic overload safety valve and swivel casters for easy maneuvering around tight spaces. The ergonomic handle features an integrated load control knob which is in connection with a universal joint release valve.

Main features

- Foot pedal
- Ergonomic handle

Y432024 - Air Service Jack - Single Stage 24T

This single stage air service jack delivers a massive 24 Ton of power and comes with a unique 3 year warranty on its interior hydraulic and pneumatic components. It is designed to meet and exceed expectations of a quality jack at a very competitive market value.

The controller allows for the jack to ascend and descend with air. No more relatively unsafe, manual descending of heavy trucks! This Y432024 comes with 3 extensions (20mm-50mm-100mm) and is equipped with a 85mm extension screw. The heavy duty wheels have been designed for daily use.

Main features

- Pneumatic descend
- Dead-man control
- Extension screw
- Hard chromed piston.

Air controlled descent

Y432032 - Air Service Jack - Telescopic 32T

Dual stage air service jack with a low entrance height of just 150mm and hard chromed piston. With 32/16 Ton capacity and its compact dimensions, this jack is ideal for both workshop and road assistance duty.

The controller allows the jack to ascend and descend with air. This premium Y432032 is backed with 3 years warranty. Air controlled descent ensures maximum safety while dealing with heavy loads.

This Y432032 comes with 2 extensions (45mm-100mm). As an option we offer a 260mm extension which is a great help when lifting trailers.

Main features

- Chromed pistons
- 150mm entry height
- Compact body

Low clearance - Maximum mobility



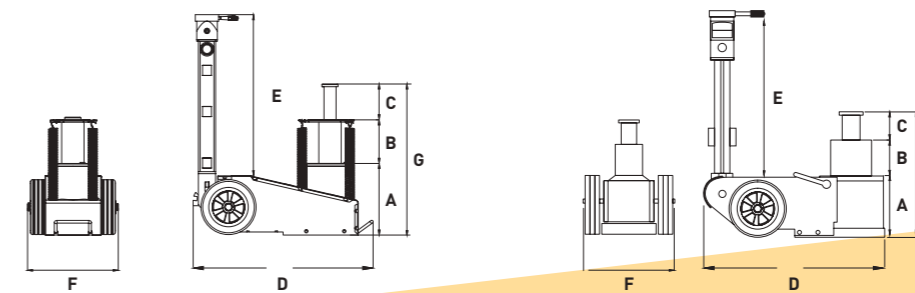
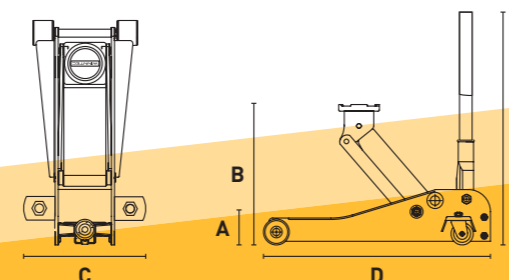
GT260MM

Extension 260mm for Y432032.

Jack dimensions

A = Min. Height (mm) B = Max. Height (mm) C = Width (mm) D = Length (mm) E = Height (mm)

Model	A	B	C	D	E	⚙️	⚖️
Y420200	138	800	396	1310,5	1285	2 T	58
Y420301	130	600	325	1400	1330	3 T	65
Y420500	150	680	366	1505	1345	5 T	90
Y421000	160	680	485	1635	1355	10 T	145



Model	A	B	C	D	E	F	G	⚙️	⚖️
Y432024	215	141	85	525	1240	265	441	24 T	40
Y432032	150	73	66	480	1300	290	289	32/16 T	38



Lifting equipment

Bottle Jacks

Versatile for use in a large variety of applications: pushing, bending, pressing or straightening. The full range comes with cast iron bases, polished main rams and a solid, chromed pump linkage. These jacks are tested to the latest European standards, have overload protection and can be used in both horizontal and vertical positions. All models (except Y413000 & Y411000) have a twist top for precise height adjustments. The **telescopic** Y411000 comes with two extensions (45mm+6mm). Winntec® guarantees a 3 years warranty due to internally machined oil passages, smooth bearing surfaces and close tolerances.



Y411000
Telescopic model 10T



Twist top allows fine tuning

Main features

- Chromed pistons
- Easy maintenance
- Heat-treated saddle



Air Bottle Jacks

Premium quality 20T air & air/manual bottle jacks. These models feature a aluminum air motor, specially heat treated cylinder walls and chrome pistons ensuring premium performance, durability, life and safety. Filters prevent contaminants from entering the air/hydraulic system. **Y432003** can be stored vertically. **Y432021** offers no manually operated pump.



Low profile

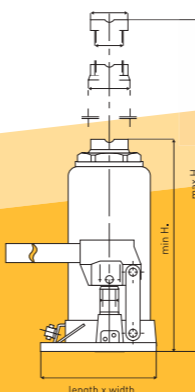
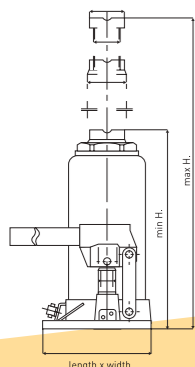
Best in class

Main features

- Welded base
- Extension screw
- High speed air motor
- Chromed ram

Jack dimensions

Model	Base plate (mm)	Min H. (mm)	Lifting H. (mm)	Adjust H. (mm)	Max H. (mm)	✋	📊
Y410200	96x93	158	90	60	308	2 T	2,3
Y410400	112x104	180	110	60	350	4 T	3,3
Y410600	116x116	197	125	60	382	6 T	4,4
Y410800	120x120	205	125	60	390	8 T	5,4
Y411000	180x118	120	100	-	260	10 T	6,4
Y411200	140x135	214	125	60	399	12 T	7,2
Y411500	140x140	225	140	60	425	16 T	8,3
Y412000	155x140	244	145	60	449	20 T	10,5
Y412001	155x140	190	90	60	340	20 T	9
Y413000	175x160	285	180	-	465	30 T	14,6



Jack dimensions

Model	Base plate (mm)	Min H. (mm)	Lifting H. (mm)	Adjust H. (mm)	Max H. (mm)	✋	📊
Y432021	180x115	148	66.6	45	260	20 T	9
Y432020	220x175	245	150	80	475	20 T	16.5
Y432003	300x150	253	150	80	483	20 T	25.7



Lifting equipment

Pneumatic Balloon Jacks

These pneumatic jacks have an internal telescopic stabilizer (ASTM-513 steel) providing lateral and vertical stability. A safety valve prevents from over inflation.

Light weight Winntec® balloon jacks are the preferred choice of tire shops and body shops because they can be easily placed on lifts. Moreover, these jacks lift extremely fast ensuring quick wheel changes.



Y422002

Main features

- Ideal on 4 post lift
- PU pad
- Low profile
- 2 Stage



Low profile

Specifications Y422002

A = 300 mm	A' = 360 mm
B = 125 mm	B' = 185 mm
D = 400 mm	
2 T	
14,8 kg	



EXPLORING WINNTECHNOLOGY

Y422012

Main features

- PU pad
- Low profile
- Store upright
- 2 Stage

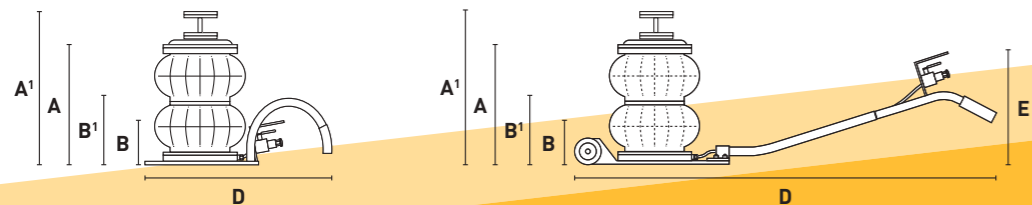


Long life - High speed

Specifications Y422012

A = 300 mm	A' = 360 mm
B = 125 mm	B' = 185 mm
D = 1100 mm	
E = 280 mm	
2 T	
16 kg	

Jack dimensions



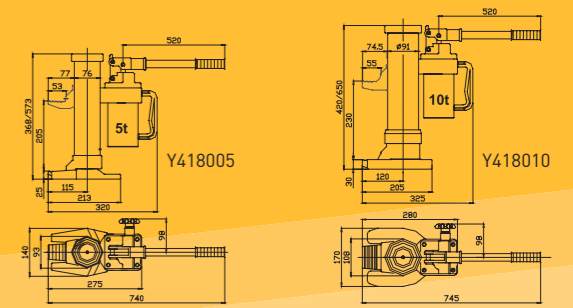
Toe Jacks

Toe jacks allow you to lift heavy machinery and equipment with a minimum of ground clearance. Since there are lifting points on both the toe and the top of the jack, they are the perfect complement to our range of HD bottle jacks.

All models are equipped with chromed rams/pistons and overload valves.

Main features

- Housing revolves 360°
- Operate vertically, horizontally and upside down



Model	Height (mm)	Width (mm)	Depth (mm)	T	KG
Y418005	368/573	320	140	5 T	26
Y418010	420/650	325	170	10 T	36



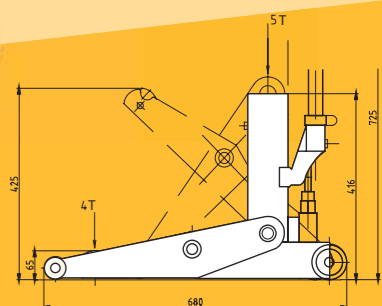
Massive power from top to toe!

Y454000 - Fork Lift Tractor Jack

Winntec® forklift jack with dual lifting points (4/5T), double speed function without load, chromed ram and chromed pump piston. Lower, extended arm is only 65mm for easy access under forklift trucks. The upright piston at 416mm is ideal for lifting tractors and farm machinery. Hydraulic lift 355mm on forklift arm and 350mm on upright piston. Special designed hydraulic pump with Japanese seal kits and overload valve. Removable handle and compact size.

Main features

- Two-position lift pad
- High-strength frame work
- 2-speed



Model	Max H. (mm)	Min H. (mm)	Length (mm)	Height (mm)	T	KG
Y454000	425	65	680	725	4-5 T	45

Lifting equipment

Y475254 - Y475230 - Y475400 - SCISSORSLIFTS

Double layered scissors lift on the ground. Scissor lifts are becoming more and more popular for vehicle inspection and quick repair. Professional equipment is often lacking in workshops in order to provide these quality services. This device is manufactured with Italian technique and hydraulic parts.



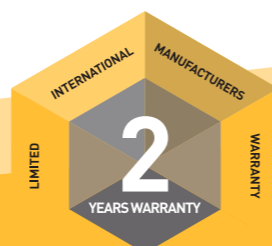
Specifications	Y475254
Width =	480 mm
Length =	1400 mm
Min. H. =	105 mm
Max H. =	1000 mm
3500 kg	
690 kg	
Operation pressure =	0.6 - 0.8 Mpa
Rated voltage =	25 Mpa
Power voltage =	230V
Motor power =	2.2 KW
Lifting time =	50 - 60 sec



Specifications	Y475230 - Y475400
Width =	585 mm
Length =	1460 mm
Min. H. =	105 mm
Max H. =	1900 mm
3200 kg	
810 kg	
Operation pressure =	0.6 - 0.8 Mpa
Rated voltage =	25 Mpa
Power voltage =	230V / 400V
Motor power =	2.2 KW
Lifting time =	50 - 60 sec

Main features

- Improved range
- Improved weight
- Multi functional
- Industrial full rubber wheels
- A-grade roll bearing
- Push-pull handle included



Y475052 - RAZZO1 1.8T

Mini lift with mechanical safety lock

Work on your vehicle at the right height for bodyshops, garages, tire-shops, detailing & wraps. Extremely versatile lift, operated with a industrial, airhydraulic footpump, which allows you to quickly lift and support any small/large car, vans and SUVs.



TECHNICAL DATA

Length (arms withdrawn)	1120 mm
Length (arms extended)	1620 mm
Operation	Hydro-pneumatic
Hydro-pneumatic pump calibration	700 Bar
Inlet air pressure	7-10 bar

Specifications

Width =	400 mm
Length =	1620 mm
Min. H. =	110 mm
Max H. =	630 mm
1.8 T	
113 kg	



WATCH DEMO

Y475051 - IN-SYNCH2 2.5T

Our IN-SYNCH2 sets itself apart from other low-rise lifts because it offers open undercarriage access. It is portable and easy to maneuver. The remote control, connected with a industrial hydraulic pump, ensures smooth lifting and lowering.

As far as safety is concerned, our patented valve block guarantees perfectly in-sync lifting and lowering when dealing with heavy loads. Quick-connect fittings conveniently connect the pump and lifts (with long hoses), making it easy to assemble/disassemble and stow individual components.

TECHNICAL DATA

Frame width	300 mm
Frame Length (lowest position)	1910 mm
Lifting point spread (Min.)	800 mm
Lifting point spread (Max.)	1320 mm
Operation	Hydro-pneumatic
Hydro-pneumatic pump calibration	350 Bar-5076 PSI
Inlet air pressure	7-10 bar

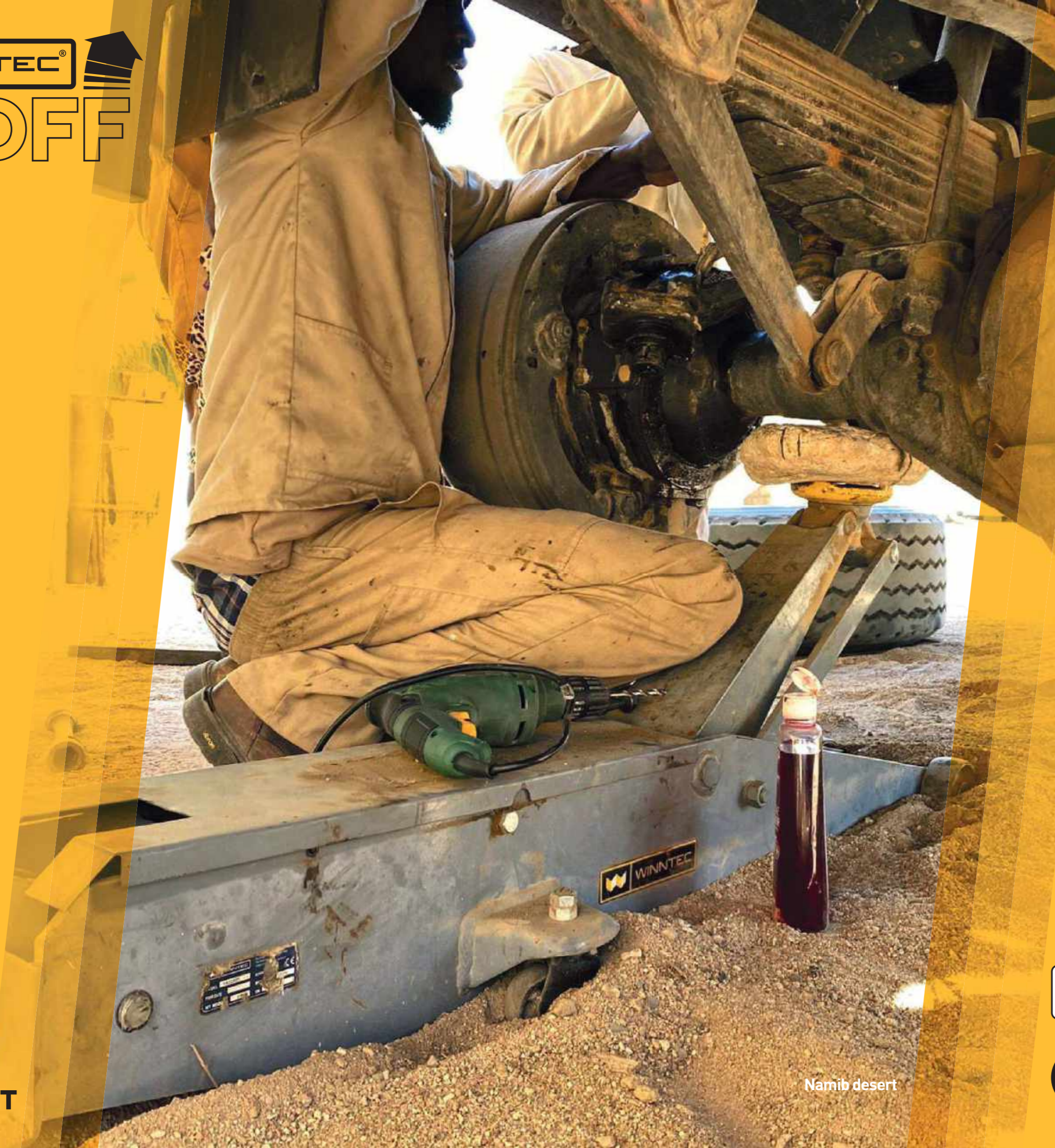
Specifications

Length =	1800 mm
Min. H. =	85 mm
Max H. =	455 mm
2.5 T	
95 kg	



WATCH DEMO





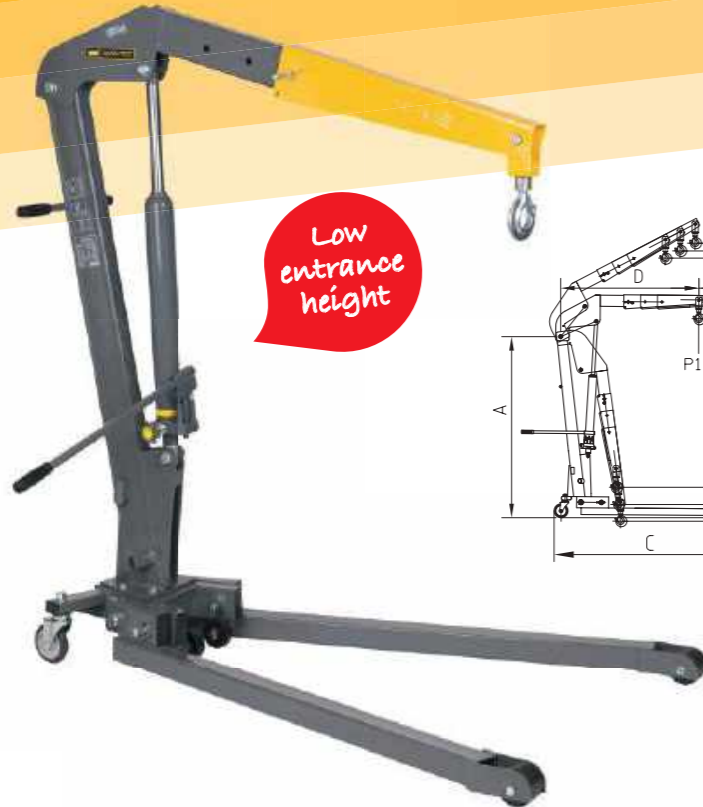
Workshop equipment

Y440104 - Foldable Crane

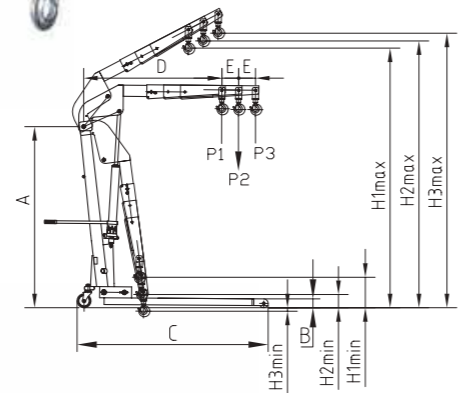
Constructed from heavy gauge and welded square tubular steel. The 2-speed hydraulic pump with chromed ram rotates up to 135 degrees ensuring the optimal working position. Fine adjustment lowering handle with dead man's control prevents from rapid uncontrolled lowering of load. Nylon wheels avoid floor damage. The arm has 3 pre-set positions (1000/750/500 kg) for lifting. Easy to maneuver in open or closed position due to unique supporting wheels at the front of the base plate. Crane is packed in wooden box.

Main features

- Hook with bearing
- Dead-man control
- Swivel pump



Low entrance height



Capacity (kg)	P1	1000
	P2	750
	P3	500
Specs (mm)	A	1405
	B	80
	C	1499
	D	1009
	E	125
	H1min	334
	H2min	214
	H3min	94
	H1max	2120
	H2max	2210
	H3max	2300

Y440300 - Engine Support

Constructed of heavy-duty powder coated steel for durability, the 300 kg capacity engine support bar enables you to work on heavy automotive repairs, such as removing your transmission or transaxle.



Specifications	
Height =	-
Width =	243 mm
Length =	1500 mm
	300 kg
	12,5 kg



Y450102 - Engine Stand

A time saver for passenger car and light truck engine rebuilding or repair. Four adjustable attachment arms make engine mounting fast and easy. Engine can be rotated a full 360° with a turn of the handle, a locking pin secures the work in any of the 8 positions.

The leg design prevents the stand from tipping over while holding the engine block. The front swivel casters allow proper positioning.

Main features

- "H" shape base for stability
- Fully adjustable 360° support



Shop must-have

COMING SOON!

Specifications	
Height =	860 mm
Width =	750 mm
Length =	760 mm
	450 kg
	19 kg

Y451555 - High Lift Transmission Jack

Their wide base provides superior stability under load. A highly efficient pump system ensures a fast and precise approach. For use in pits and underneath elevated vehicles. Suitable for installing and dismantling gearboxes, motors & couplings.

Main features



- Dead-man control
- Wide base with swivel wheels
- Fast approaching speed
- Block foam to protect vehicle parts
- Turnable saddle

High stability



Y451555 ADAP

Model	Min H. (mm)	Lifting H. (mm)	Max H. (mm)	Height (mm)	Width (mm)		
Y451555	1171	817,5	1988,5	573	542	550 kg	31,2

Specifications	
Min. H =	302 mm
Max. H =	450 mm
 12 T	
 20 kg	

**MORE SPECS
AND DETAILS
SEE PAGE 33**



Jack Stands

All stands are packed in pairs and intended to be used as such.

Never compromise safety

Y451600 - 6T Main features

- Ratchet type
- Base with foot pads
- Positive lock/handle carrying



Y450301 - 3T Main features

- Ratchet type
- Base with foot pads
- Positive lock/handle carrying



Y452600 - 6T Main features

- Pin type
- Large PU support pad



Y452300 - 3T Main features

- Pin type
- Large PU support pad



Y451205 - 12T Low Profile Jack Stand Set

Low profile jack stand with handle and wheels for easy positioning under the vehicle. The pin type support column adjusts to five different height positions. A 22cm square base secures and stabilizes load.

Main features

- Pin type
- Nylon wheels
- Handle low profile



FAST LOCK JACK BLOCK

Y450350 - 3.5T Fast Lock Jack Block

The Fast Lock Jack Block is the ultimate solution for transforming your floor jack quickly into a secure jack stand. It extends 217mm to 342mm and is equipped with a spring release for easy positioning.

Must Have for quickly and safely supporting all kinds of vehicles. Especially those that don't show multiple lift/support points. Highly recommended for those workshops and mobile operators that service EV's.



WATCH DEMO



Specifications

Min. H =	217 mm
Max. H =	352 mm
	3,5 T
	1,7 kg

Y452330 - 3T

Our toughest stand offers a wide 300 mm footprint ensuring maximum stability. The stand is equipped with a thick, round, replaceable rubber pad showing a diameter of 109 mm.

NEW!

Just 300 mm min. height. Recommended for Model 3 and Mach-E



NEW!

Y452205 - 22T Low Profile High Capacity

Heavy duty, welded, wheeled jack stand set with detachable handle. Multi-angle handle sockets ensure easy storage and safe positioning under the vehicle.



Y451206 - 12T High Reach Jack Stand

Heavy duty, high reach welded jack stand with detachable handle, multi-angle handle socket and wheels for easy positioning under the vehicle.

The pin type support column adjusts to various height positions up to 971mm making it suitable for both tire service and general trailer service jobs where chassis support is needed. Sold by single piece.



Main features

- Nylon wheels
- Pin type



Model	Min H. (mm)	Max H. (mm)	W	L	Ø (mm)		
Y450301	305	450	185	209	-	3 T	7
Y452300	322	465	-	-	254	3 T	5,2
Y452330	300	451	219,5	253	310	3 T	9
Y451600	395	625	263	293	-	6 T	13,8
Y452600	404	604	-	-	341	6 T	11,2
Y451205	302	450	280	220	-	12 T	20
Y451206	601	971	423	370	341	12 T	29,2
Y452205	402	575	333	280	-	22 T	42,4

Workshop equipment

Y471105 - Wheel Dolly

This industrial quality wheel dolly increases productivity in the shop by offering a fast & efficient way to remove tire/wheel assemblies. Its ergonomic design helps to reduce back strain injuries.

The extended rollers (ideal with wide base tires) can be installed in 3 positions depending on the wheel size. The roller bearings are of Japanese origin. The rubber wheels have an all new and unique steel core providing optimal life time performance.

Main features

- Quick detach handle
- Extended rollers - 290mm



WATCH DEMO

Specifications

Frame width	700 mm
Handle length	1000 mm
Weight	220 kg
Load capacity	15 kg



Y471106 - SAFERGO Truck Wheel Dolly

This lightweight, portable dolly has a compact hydraulic unit that ensures precise positioning. It also allows the operator to work on a very short distance from the vehicle which is crucial during road assistance service work.

Its shock absorbing casters ensure a smooth ride from and to the hub on a rough surface. Winntec delivers you once again affordable ergonomics without affecting operation speed.



Specifications

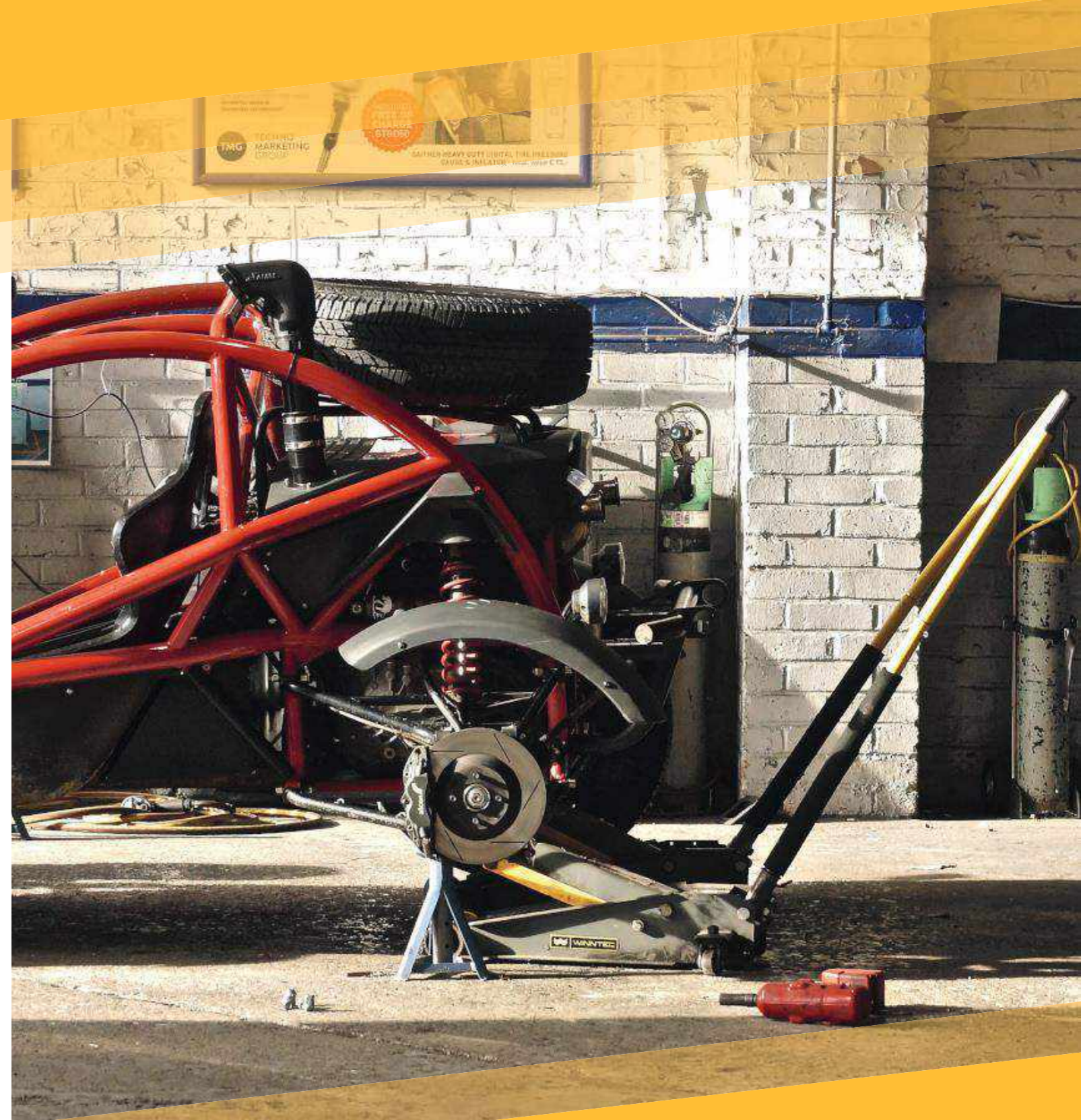
Frame width	900 mm
Frame depth	450 mm
Frame height	310 mm
Weight	160 kg
Load capacity	29 kg



WATCH DEMO

Main features

- Carry handle & belt
- Maximum mobility
- Fast positioning



© topgear.com



Workshop equipment

M499440 - Foldable Creeper/Seat

Extra long, foldable workshop creeper/seat with 7 HD wheels for easy maneuverability. Thick padded cushions, for both the seat and headrest, create a comfortable base for easy access and movement during your maintenance tasks.



Specifications

Length = 1200 mm

Width = 410 mm

Height = 140 mm

115 kg

12 kg

Y491110 - Mechanic Gloves

The Winntec® Mechanic Glove is a sturdy glove with protectors for professional work in the workshop, assembly, handling of machines and materials. **Sizes: M - L - XL**

Main features

- Impact protection
- Slip free silicone grip
- Double stitched
- Industrial hook and loop
- Machine washable



Y491310 - Precision Gloves

Winntec® Precision Glove is perfect for a variety of automotive service jobs that demand a 'fine touch'.

We've selected the most sensitive Polyurethane synthetic leather for the palm with a touchscreen functional PU material on the index finger. The back is made with comfortable nylon/spandex rib and polyester air mesh. The cuff closes with velcro and is partially reflective. **Sizes: L - XL**

Main features

- Fine Touch
- Anti Slip
- Breathable stretch
- Abrasion resistant
- Terrycloth thumb
- Touch screen proof



Y490025 - 2D-XL Keychain



JTM120220 - 2D-XL Keychain



Y490088 - Cap (L-XL)



M120110 SMART CHARGER



MAIN FEATURES

1. VEHICLE VOLTAGE INDICATOR 12 - 24V
2. USB-A3.0 - USB-C
3. FAST CHARGING
4. ALLOY CASING
5. LED LIGHT

Y490033 - Warmer/Cooler Lunch Bag



Y490022 - Waterproof Backpack XL

This robust waterproof backpack is ideal for all conditions. Whether you live in a rainy environment or are snowed under all year round, this waterproof backpack protects your personal belongings, whatever the weather.

The Winntec® Y490022 is made of 100% waterproof materials and all seams are welded so that no water can leak through. The roll-top closure provides extra protection against the elements while you still have quick access to your belongings.

The spacious main compartment offers ample storage space, while being splash-proof, externally zipper pocket contains your essential supplies such as wallet, telephone and keys.



Great promo product!

Main features

- 100% PVC
- Waterproof
- Floats
- Extra spacious



WINNTEC
LIFTOFF



WINNTEC.NET



We Sold! **500,000** **Jacks**
 Leading the lifting game since 2002



EXPLORING
 WINNTECHNOLOGY



Workshop equipment

Industrial Presses

Our range of presses with welded frame are suitable for standard pressing, bending, bonding and straightening jobs. Essential for the removal/installation of universal joints, bearings, pulleys, and wrist pins. 2 V-blocks for easy and secure positioning are included.



Y461515

Main features

- Bench model
- Single speed hand pump
- Gauge and hydraulics components built into the frame



Y461550

Main features

- Single speed hand pump
- Pneumatic foot operation
- Movable cylinder (left-right)
- Winch operated work bed
- Gauge and hydraulics components built into the frame
- Optional: removable punch set tray
- Optional: protection cover



Y461650

Main features

- Pneumatic and manual foot operation
- Movable cylinder (left-right)
- Floating work bed
- Gauge and hydraulics components built into the frame
- Incl. removable punch set tray
- Optional: protection cover



Y461520

Main features

- 2-speed hand pump
- Optional: punch set and protection cover



Y461533

Main features

- 2-speed hand pump
- Movable cylinder (left-right)
- Pneumatic foot operation
- Optional: punch set and protection cover



Y461555

Main features

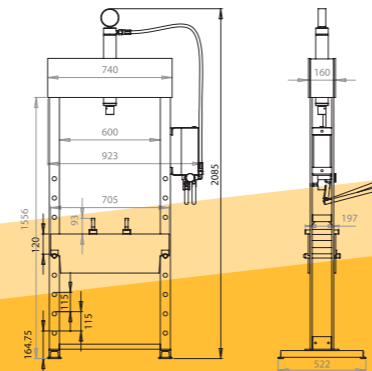
- 2-speed hand pump
- Pneumatic foot operation
- Movable cylinder (left-right)
- Optional: punch set and protection cover



Y461533-PC / Y461555-PC
Protection cover



Y461533-PS
Punch set



Model	Height (mm)	Depth (mm)	Width (mm)		
Y461515	800	350	550	15 T	48
Y461550	1900	490	890	50 T	191
Y461650	1920	490	890	50 T	225

Model	Height (mm)	Depth (mm)	Width (mm)		
Y461520	1830	540	850	20 T	101
Y461533	1850	540	840	30 T	137
Y461555	1850	650	1080	50 T	244



Workshop equipment

Y444000/Y444100 - Collision Repair Sets

Both 4T (Y444000) and 10T (Y441000) include solid blow cases, chromed rams/pistons and safety valves to prevent from overloading. Their heavy gauge snap-together pipework and cast attachments are compatible with most leading brands of body repair equipment.

Supplied with the following parts:

Single Speed Hand Pump • Cylinder (100 mm stroke Y444000 - 150 mm stroke Y444100) • Hose • Ram Flat Base • Spreader • 100 mm Extension Tube • 150 mm Extension Tube • 300 mm Extension Tube • 400 mm Extension Tube • Tube Coupling • Ram Toe • Wedge Head • Serrated Saddle • Flex Head • Plunger Toe • 90 Degrees Wedge Head • Storage Case.

Main features

- Quick lock for fast assembly and disassembly
- Spring guards at hose end
- Thick walled extension tubes

Model	Cylinder (mm)	Weight (kg)	Stroke (T)
Y444000	100	17	4 T
Y444100	150	31	10 T



Y444000



Y471150 - Air Hydraulic Pump 1600 cc

For use with a variety of rams, presses and hydraulic tools operating up to 700bar/10.000 psi. Air exhaust muffler for quiet operation. Aluminum housing.

Two stage release mechanism; pump, hold or release with pedal control. Air inlet 1/4, outlet 3/8. Working pressure 6-10 bar. Weight: 7,9 kg.



Low operating force

Y4781155

Y4781155 - Single Acting 2-Speed 900 cc 70 Mpa

Light weight, high flow industrial pump with baked enamel finish to increase corrosion resistance. The compact design ensures efficient storage and transportation. Less handle effort to minimize operator's fatigue. Internal pressure relief valve prevents from overload situation. Industrial 3/8-18NPT outlet. Weight: 6,8 kg.

Y4781107 - Single Acting Cylinder 42-52mm 10T

High strength alloy steel for maximum safety and durability. Collar thread on high model enables easy fixture. Unique heavy duty spring provides fast piston return. Industrial 3/8-18NPT connections. Weight: 1,5 kg.



Y4781107

Y478205 - Hose Assembly 2,50 mt

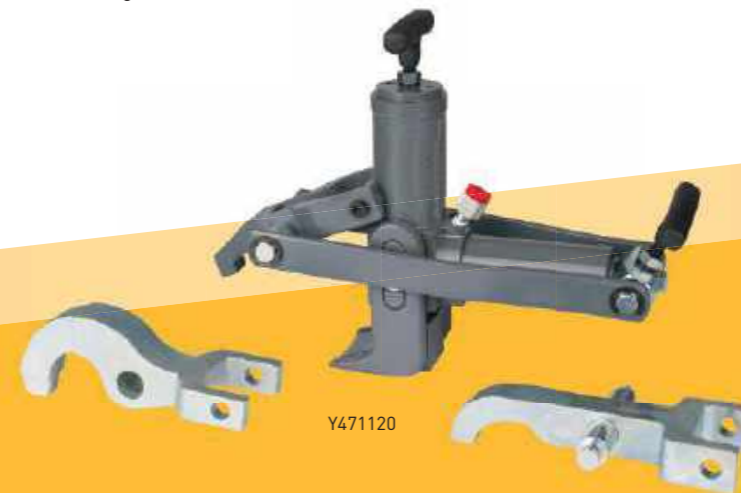
Compatible with Y471150 and Winntec Bead Breaker model Y471120.



Y478205

Y471120 - Hydraulic Combi Bead Breaker

Designed to work on all single, two and three pieces 2-5-10 hole budd, 7.50x16s and all tubeless tire/rims. Includes 3 claws. Working range up to 120mm. Self retracting. Durable anti-corrosive finish.



Y471120

Main features

- All-in-one solution
- Foot operated
- Metal case

Y471180 - Wheel Removal kit

This kit eliminates one of the most dangerous jobs within the tire service industry: WHEEL REMOVAL! Alloy and light steel wheels are often frozen (glued) to the vehicle.

This ready-to-use kit includes a case, cylinder, pump, hose and a variation of adaptors to be installed depending on the space between the wheel and the chassis of the vehicle. With 10 Ton of hydraulic power and manual control of the foot pump, it becomes a safe and quick job to press the oxidized wheel from the vehicle.

Avoids injuries - saves time

Specifications	
Height =	150 mm*
Width =	480 mm*
Depth =	235 mm*
Weight (kg)	10 T
Weight (kg)	15 kg

* Case Dimensions





Accessories

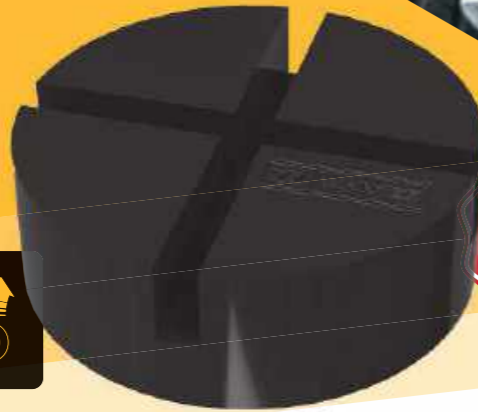
Y490000 - Liftpad X

LIFTPAD helps to lift safely & reduces the risk of damaging your vehicle's chassis and lifting point! Works with most floor jacks.

Perfect fit guaranteed with Winntec models Y411202, Y420250, Y420303, Y420330 Y420333, Y420336.

Main features

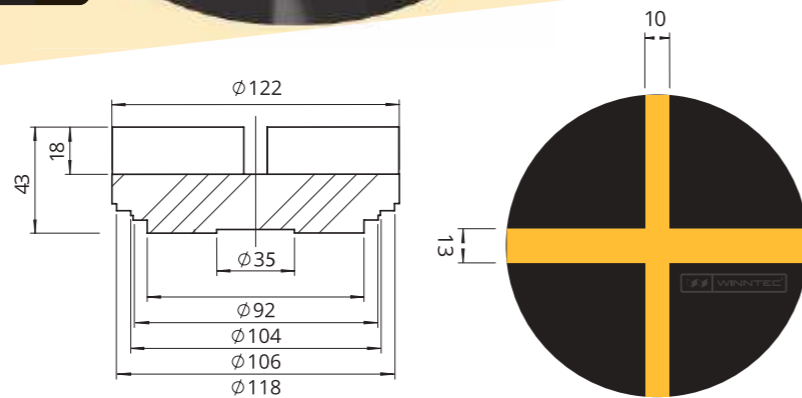
- Universal fit
- Avoids frame rail damages
- Avoids lift point deformation
- PFAS & PAHS FREE!



MADE OF SUPER STRONG ULTRA HIGH MOLECULAR WEIGHT POLYETHYLENE

Specifications

Top Ø =	122 mm
Height =	43 mm
4 Base slots Ø =	92 mm 104 mm 106 mm 118 mm
X-groove =	10/13 mm



Y490010EV - Liftpad EV

Liftpad EV is a must have accessory while lifting vehicles that require a lift adapter. The pad offers a 15 mm deep slot that shows a 75 mm diameter. The slot's dimensions ensure that the majority of brand specific lift adapters will fit.

The overall height of the pad is just 20 mm. Works with most floor jacks. Perfect fit guaranteed with Winntec models Y411202, Y420250, Y420303, Y420330 Y420333, Y420336

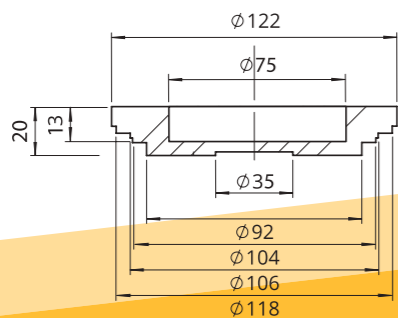
Main features

- Holds the majority of adapters* in the market
- Avoids costly damages
- **MUST HAVE** when lifting EV's
- PFAS & PAHS FREE



Specifications

Top Ø =	122 mm
Height =	20 mm
4 Base slots Ø =	92 mm 104 mm 106 mm 118 mm



* Adapters not included!



Rubber Saddle Pads

Y411202-45

Fully covering rubber saddle for Y420250, Y420330, Y420333, Y411202.



Y411350-42

Fully covering rubber saddle for Y411350.



Y420250-34

Inlay rubber saddle for Y420250, Y420330, Y420333.



Y420336-42

Inlay rubber saddle for Y420336.



cube SERVICING FUTURE MOBILITY. MOBILE!



MANUFACTURED BY OUR SISTER COMPANY

- Requires just 1.1m² of floor space
- Lightweight
- No disturbing noise or fumes
- Specifically designed for mobile service market
- Temperature controlled 48V Lithium powerbank starting from 2.6 kWh
- Works on a wide range of tire sizes
- Guarantees workshop quality on your customer's driveway
- AC/DC & 12V DC/DC charging – solar optional
- Service friendly
- The heart of your mobile service platform
- Bring the WOW factor to your customer

- Preferred choice of various international car & tire manufacturers and their networks
- Designed, engineered & manufactured in The Netherlands



YOU ARE IN-CONTROL TECHNOLOGY (INTERNATIONAL PATENTS PENDING)
One machine! Two operation methods - LEVER OR LEVERLESS!







Winntec® is a brand owned by TMG
Rechtzaad 6, 4703 RC Roosendaal
The Netherlands
+31 165 561 613 | info@winntec.net

winntec.net

We  Jacks

