



Pneumatic Riveter

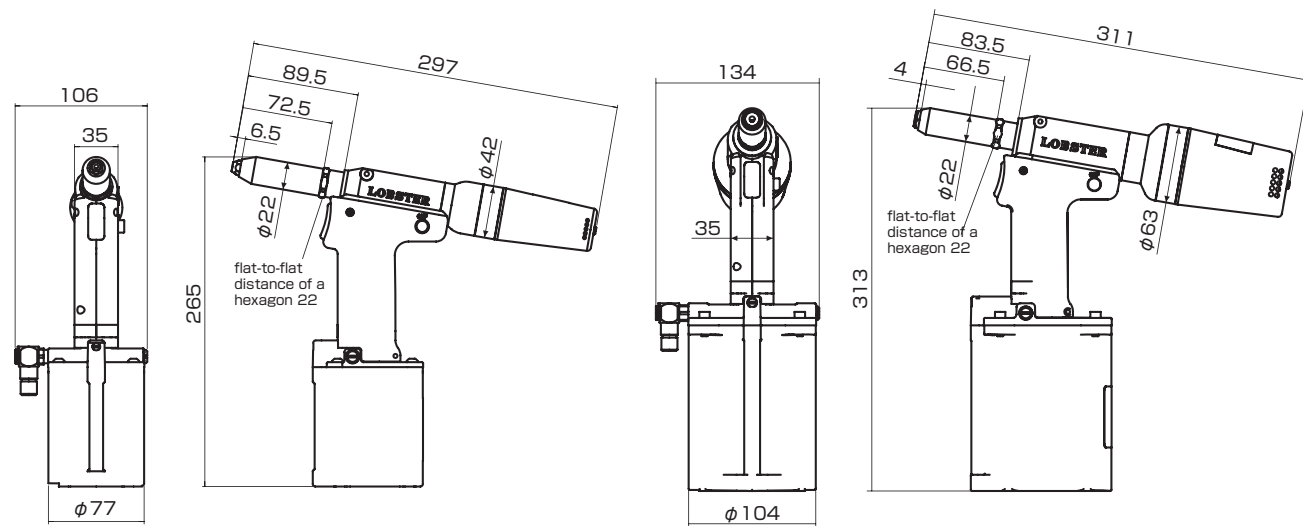
R1A1  
R1A2

# MADE IN JAPAN tradition

## Pneumatic Riveter

### R1A1

### R1A2



Model	Weight kg (lbs)	Compatible Rivets φmm (inch)	Jaw	Used air pressure MPa (kgf/cm <sup>2</sup> )	Traction Power kN (lb.f)	Stroke mm (inch)	Air Consumption L/min	Noise Emission dB
R1A1	1.1 (2.43)	all material 2.4 / 3.2 / 4.0 / 4.8 (3/32", 1/8", 5/32", 3/16")	Ultra Jaw 'M'	0.49~0.59 (5~6)	10.0 (2,248)※	19 (.748")	68※ (Vacuum on)	69.5
R1A2	1.74 (3.84)	all material 4.8 / 6.4 (3/16", 1/4")	Ultra Jaw 'L'	0.49~0.59 (5~6)	18.5 (4,158)※	26 (1.02")	75※ (Vacuum on)	80

※Air pressure at 0.59 Mpa

⚠ Caution for secure usage Be sure to read the enclosed Instruction Manual carefully and make sure that you understand them thoroughly before using this tool.

- All dimensions are nominal and subject to tolerances.
- Specifications are subject to change without prior notice.



LOBTEX CO.,LTD.

International Marketing Group  
TEL+81(72)981-7466 FAX+81(72)981-9420  
12-8 Shijo-Cho,Higashi-Osaka City,Osaka 579-8053 Japan  
URL : www.riveter.com www.lobtex.co.jp/

No.14B-2000TO



## Pneumatic Riveter

A high power model in correspondence with high-strength blind rivets.

MADE IN  
JAPAN





# Lightweight · Heavy Duty · Long stroke

	R1A1	NEW R1A2
Rivet sizes	2.4mm, 3.2mm, 4.0mm, 4.8mm(3/32", 1/8", 5/32", 3/16")	4.8mm, 6.4mm(3/16", 1/4")
Stroke	19mm(.748")	26mm(1.02")
Traction Power	10.0kN(2,248 lb.f)※	18.5 kN(4,158 lb.f)※

※based on operating air pressure of 0.59MPa(85psi)



A heavy duty riveter capable of setting structural rivets.



## Pneumatic Riveter

### Narrow Frame Head

22.0mm(.866") diameter Frame Head allows for use in tight spaces.

R1A2

### The resin grip which makes it easy to grip

Well balanced tool with a comfortable feel in the operator's hand. Handle has a natural curve that is easy to grip.



### Air intake with changeable left/right direction

Air inlets on both the left and right side allowing for greater flexibility, and operator productivity.



### Reduced air consumption of approx. 30% compared with our conventional model

With an improved air circuitry design, consumes 30% less air than previous generation tools. This reduces compressor costs and is environmentally friendly.



### Oversized mandrel container

Oversized mandrel container. Improved efficiency = greater productivity

R1A2

### Long Stroke

R1A1 19mm(.748")

R1A2 22mm(1.02")



### On-board vacuum on/off switch

Conveniently located on/off button controls vacuum mandrel collection. Simply push the button to activate vacuum, then switch to off when not in use to reduce air consumption and cost.



### Lightweight, durable design

As ergonomic leaders, Lobster designed a lightweight riveter durable enough for use in high volume applications. A superb center-balance design is comfortable in the operators hand, enhancing the lightweight feel.

## NEW R1A2

Lobster Tools riveters are heavy duty production tools made in Japan and used worldwide. MADE IN JAPAN spirit is embodied in R1A1/A2 to high acclaim and have achieved the prestigious Good Design award for 2012.



Lobster has been manufacturing products in Japan for over 120 years. The Made in Japan tradition has a history of providing high quality products to our customers.