

GLOBALJIG[®]

Evolution

Evolution of the Species

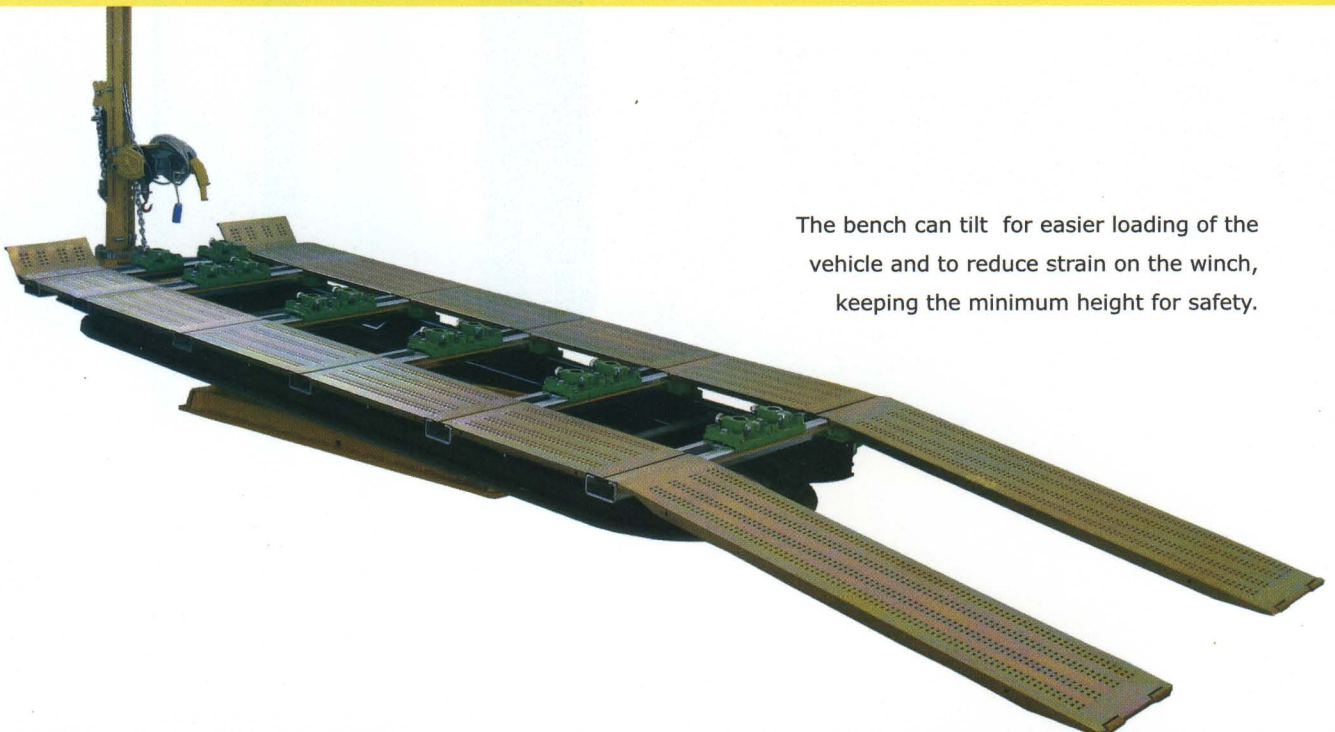
Evolution

Evolution a 4,5 mt bench, ideal to replace the old four columns bench and to increase space and security, for Globaljig universal jig system customers.

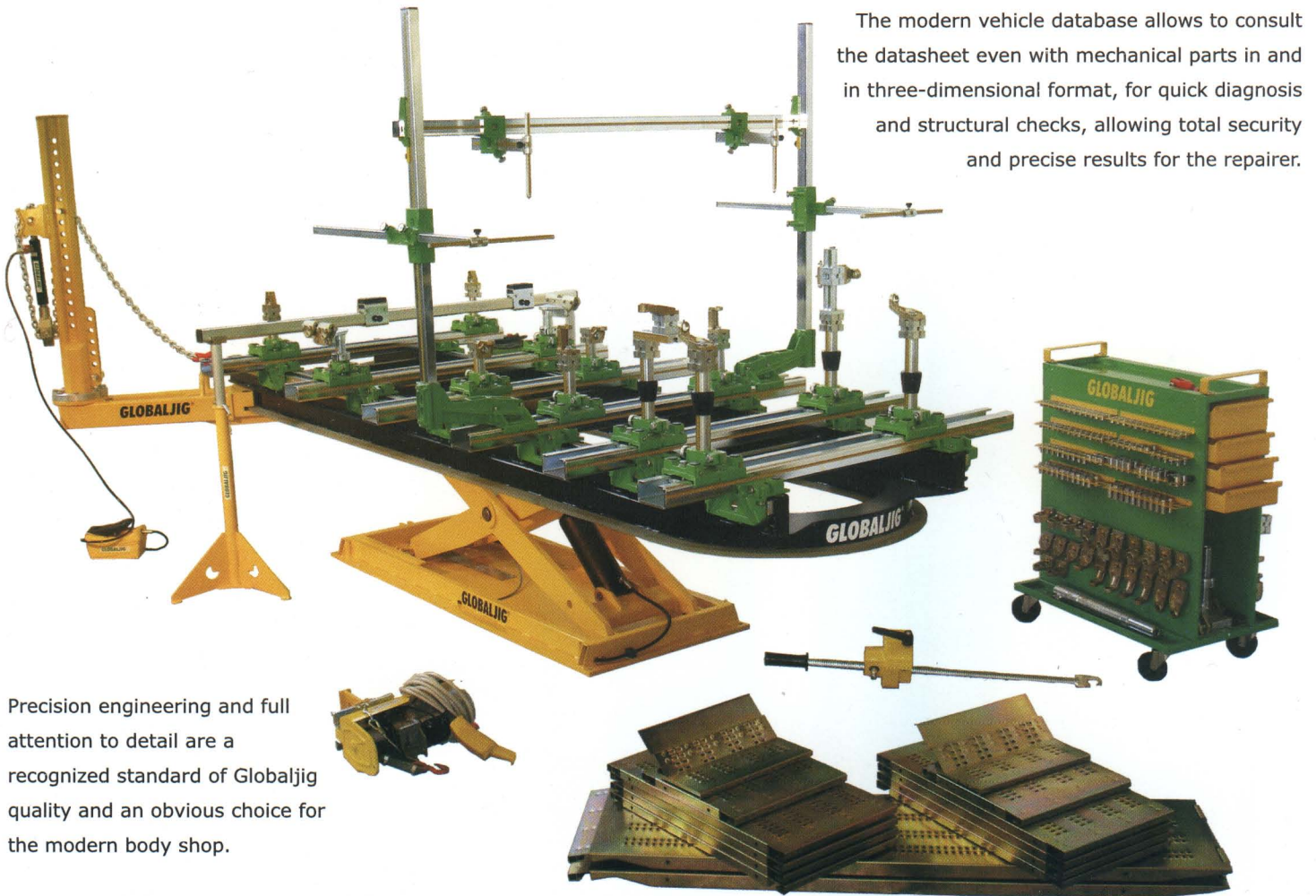


Technology and innovation looking to the future

TILTS TO ACCOMMODATE THE VEHICLE



The bench can tilt for easier loading of the vehicle and to reduce strain on the winch, keeping the minimum height for safety.



The modern vehicle database allows to consult the datasheet even with mechanical parts in and in three-dimensional format, for quick diagnosis and structural checks, allowing total security and precise results for the repairer.

Precision engineering and full attention to detail are a recognized standard of Globaljig quality and an obvious choice for the modern body shop.

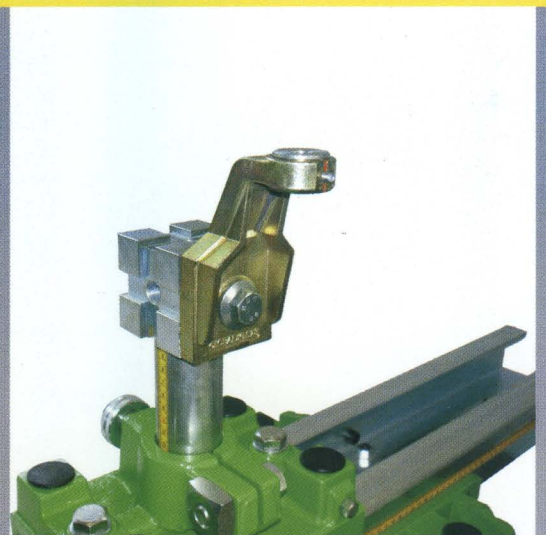
Suitable for new repair concepts

PULLING TOWER ON-BOARD

MONOCUBE JIG SYSTEM



New and quick blocking system to position and direct the pulling tower, perfect for all types of pulling.



International patent

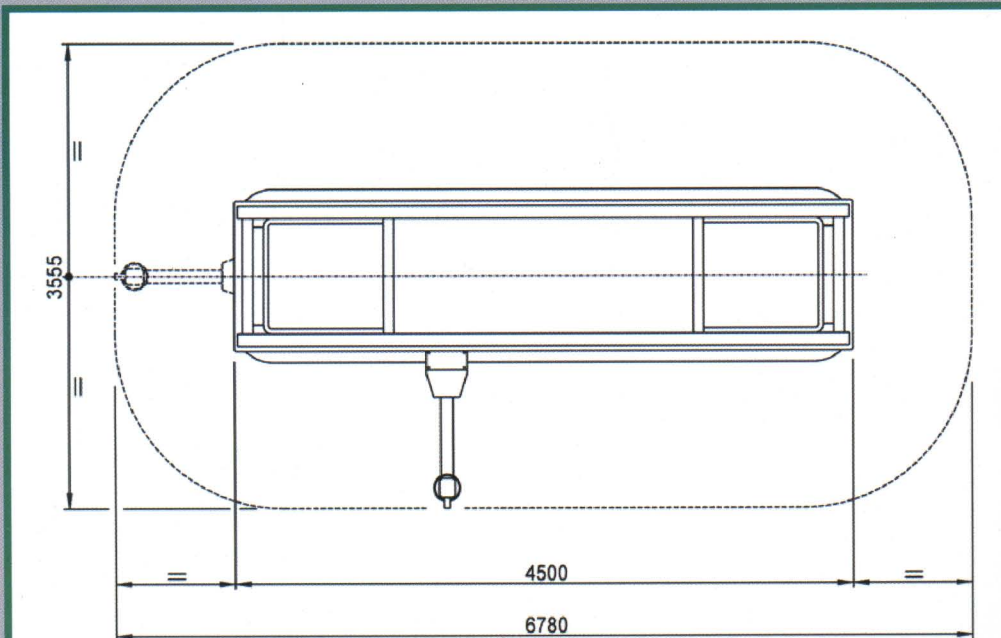
GLOBALJIG®

Evolution-Jig is the ideal solution for those repairs where a "mini-bench" is not enough! the version comes supplied with four crossbeams and a set of jigs for the substitution of vehicle parts and to carry out quick and strong pulling.

The **Evolution-Jig** can be completed to become a full Globaljig system complete with accessories trolley and McPherson overhead measuring bridge.



Evolution



TECHNICAL DATA	
VOLTAGE	200+418V
FREQUENCY	50+60Hz
POWER	2Kw
CAPACITY	3000Kg
MAX HEIGHT	1360mm

GLOBALJIG
International S.r.l.

Via Aurelia Ovest, Km 383
54100 Massa Italy
Tel. +39 0585 8364 (8 linee)
Fax +39 0585 833880

www.globaljig.it
e-mail: info@globaljig.com